

SERIES 40



Dimensions in: mm/inch

Series 40

Navigation lights – In a traditional and robust housing

Application

Application depending on required visibilities.
See table in technical information.
With -symbol on European inland waterways applicable.

Housing

Polycarbonate, black or white, impact and shock resistant, non-corrosive (stainless steel), non-magnetic, seawater resistant

Optics

Lens: Fresnel, range of visibility 2 nm (Masthead 3 nm). Material: plastic, impact resistant and shock-proof, seawater resistant

Protection degree

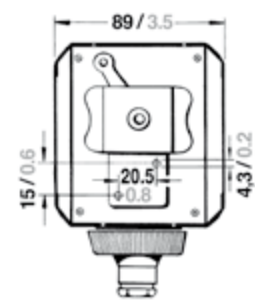
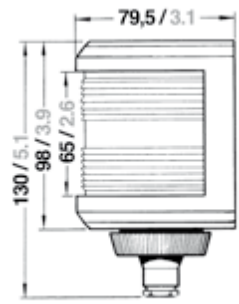
IP 56

Mounting

See drawing p. 35

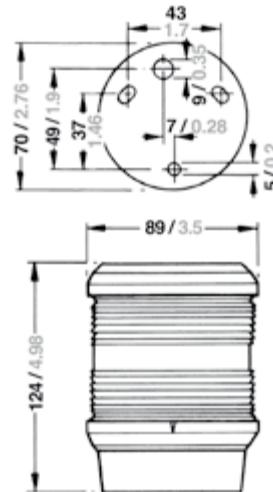
Electric

With 2-wire cable, cable entry PG 9, bulb included

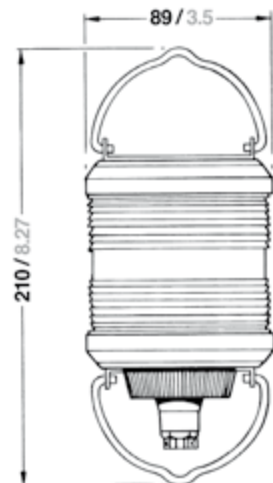


No.	Description	Ship size	Wattage	Visibility	Housing colour	Mounting	Article number 12 V	Article number 24 V
1	Starboard	< 50 m / < 164 ft.	25 W	2 nm	Black	side-mount	3505102000	3505103000
	Port	< 50 m / < 164 ft.	25 W	2 nm	Black	side-mount	3504202000	3504203000
	Bicolor	< 20 m / < 65 ft.	25 W	2 nm	Black	side-mount	3503302000	3503303000
	Masthead	< 20 m / < 65 ft.	25 W	3 nm	Black	side-mount	3501002000	3501003000
	Stern	< 50 m / < 164 ft.	10 W	2 nm	Black	side-mount	3502002000	3502003000
	Stern yellow	< 50 m / < 164 ft.	10 W	2 nm	Black	side-mount	3502402000	3502403000

2



3



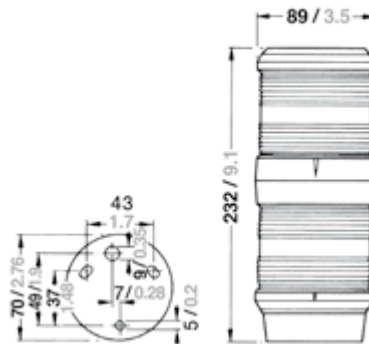
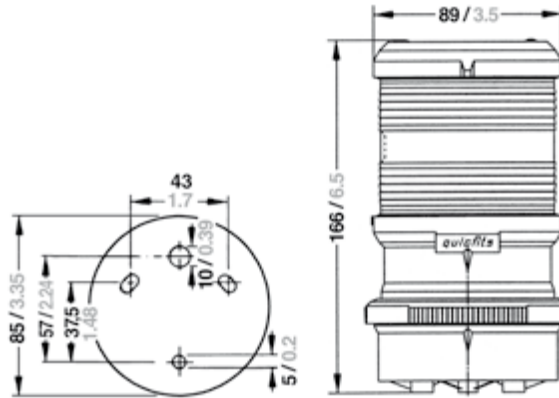
No.		Description	Ship size	Wattage	Visibility	Housing colour	Mounting	Article number 12 V	Article number 24 V
2		All-round white (deck-mount)	< 50 m / < 164 ft.	10 W	2 nm	Black	deck-mount	3506032000	3506033000
		All-round white (deck-mount)	< 50 m / < 164 ft.	10 W	2 nm	White	deck-mount	3506629000	3506639000
		All-round red (deck-mount)	< 50 m / < 164 ft.	25 W	2 nm	Black	deck-mount	3506232000	3506233000
		All-round green (deck-mount)	< 50 m / < 164 ft.	25 W	2 nm	Black	deck-mount	3506132000	3506133000
3		All-round white (hoistable)	< 50 m / < 164 ft.	10 W	2 nm	Black	hoistable	3506002000	3506003000
		All-round red (hoistable)	< 50 m / < 164 ft.	25 W	2 nm	Black	hoistable	3506202000	3506203000
		All-round green (hoistable)	< 50 m / < 164 ft.	25 W	2 nm	Black	hoistable	3506102000	3506103000

SERIES 40

4

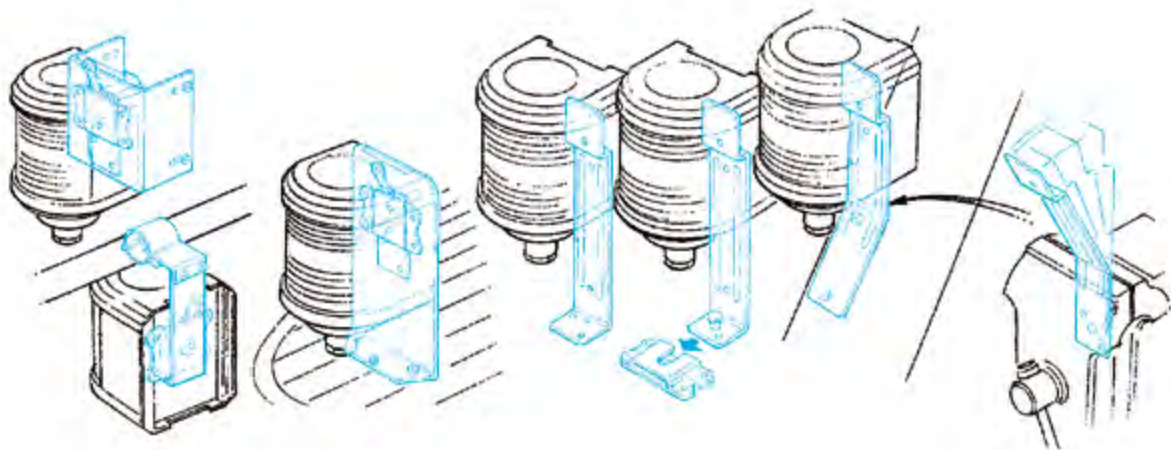


5

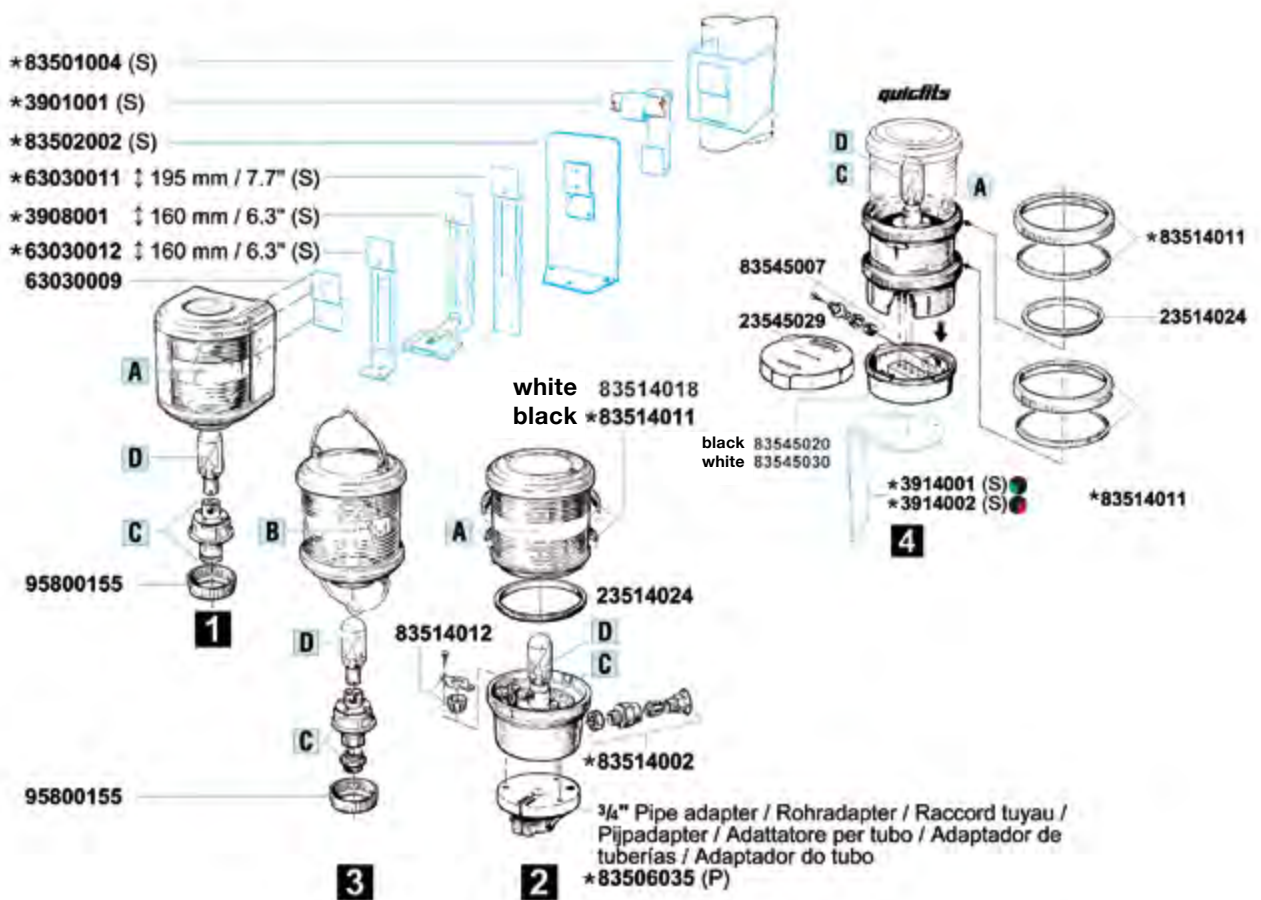


No.		Description	Ship size	Wattage	Visibility	Housing colour	Mounting	Article number 12 V	Article number 24 V
4		All-round white, Quicfits	< 50 m / < 164 ft.	10 W	2 nm	Black	deck-mount	3506652000	3506653000
5	 	Masthead / Anchor combination	< 20 m / < 65 ft.	25 W (Masthead), 10 W (Anchor)	3 nm (Masthead), 2 nm (Anchor)	White	deck-mount	3514502000	3514503000

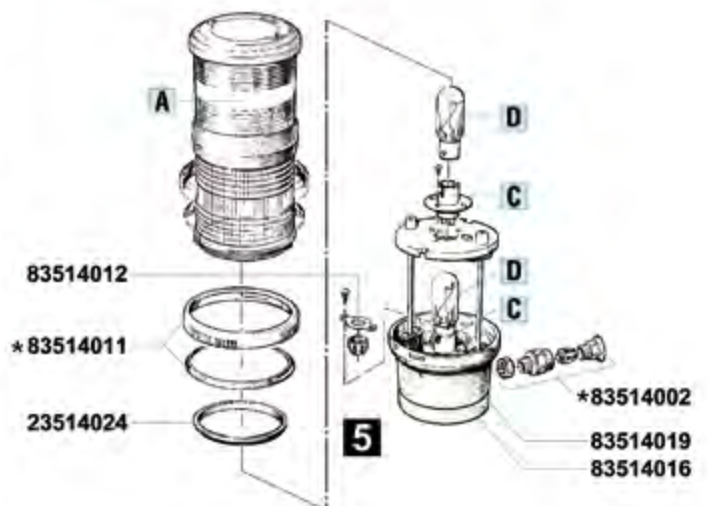
Bracket variants for Series 40



Spare Parts /*Extras
Ersatzteile /*Zubehör
Pièces de rechange /*Accessoires



	A	B	C	D
1	83505002	-	83501006	12V/25W 90400002
	83504002	-		
	83503001	-		
	83501008	-		
	83502003	-		
	83502004	-		12V/10W 90400005
2-4	83507008	-	2 90200127	24V/25W 90400003
	83506022	83506005	3 83506001	24V/10W 90400006
	83506030	-	4 90200127	
	83506023	83506007		
	83506024	83506009		
5	83514020	-	90200127	



SERIES 40



Dimensions in: mm/inch

SERIES 40

Sailboat lights and strobe lights –
Also with aqua signal *quickfits* system for
easy dismounting for the transport and
winter storage

Application

Application depending on required visibilities.
See table in technical information.

Housing

Black polycarbonate, impact and shock
resistant, non-corrosive, non-magnetic,
seawater resistant

Optics

Lens: Fresnel, range of visibility 2 nm (strobe
light 3 nm). Material: plastic, impact resistant
and shock-proof, seawater resistant,
replaceable

Protection degree

IP 56

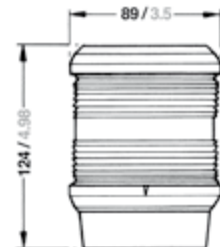
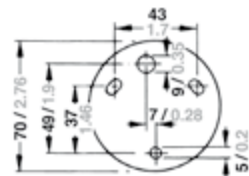
Mounting

See drawing p. 39

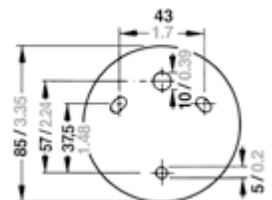
Electric

With 2-wire cable, cable entry PG 9,
bulb included

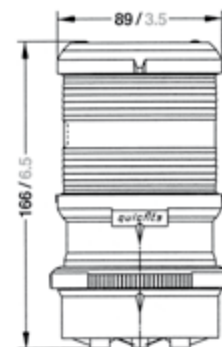
1



2



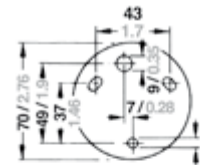
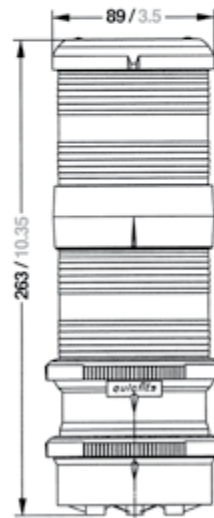
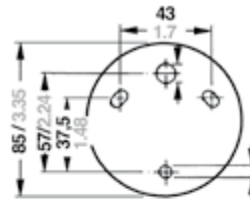
3




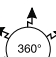





4



5



No.	Description	Ship size	Wattage	Visibility	Housing colour	Mounting	Article number 12 V	Article number 24 V
1	 Tricolor	< 20 m / < 65 ft.	25 W	2 nm	Black	deck-mount	3507632000	3507633000
2	 Tricolor, quicfits	< 20 m / < 65 ft.	25 W	2 nm	Black	deck-mount	3507652000	3507653000
3	 Strobe, quicfits		8 W/s	3 nm	Black	deck-mount	3545052000	3545053000
	 Anchor / Strobe, quicfits	< 50 m / < 164 ft.	10 W (Anchor), 8 Ws (Strobe)	2 nm, 3 nm (Strobe)	Black	deck-mount	3546052000	3546053000
4	 Tricolor / Anchor, quicfits	< 20 m / < 65 ft.	25 W (Tricolor), 10 W (Anchor)	2 nm	Black	deck-mount	3514952000	3514953000
	 Tricolor / Anchor / Strobe, quicfits	< 20 m / < 65 ft.	25 W (Tricolor), 10 W (Anchor), 8 Ws (Strobe)	2 nm, 3 nm (Strobe)	Black	deck-mount	3547952000	3547953000
5	 Tricolor / Anchor	< 20 m / < 65 ft.	25 W (Tricolor), 10 W (Anchor)	2 nm	Black	deck-mount	3514912000	3514913000



Spare Parts /*Extras
Ersatzteile /*Zubehör
Pièces de rechange /*Accessoires

	12 V	24 V
A	25 W 90400002	90400003
	10 W 90400005	90400006
B	90200127	
C	⚡ Electronic 23545009	
D	⚡ Electronic 83546005 83546005	

